



川源（中国）机械有限公司  
GSD (China) Co.,Ltd.



# GHSK

**GHSK single-stage single-suction semi-open type centrifugal pump**

# GHSK单级单吸半开式离心泵

## GHSK Single-stage Single-suction Semi-open Type Centrifugal Pump



### General

G HSK

G HSK 1450r/min 2900r/min

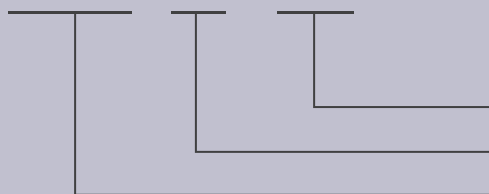


GHSK type single -stage single-suction semi-open type centrifugal pump has semi-open structure of the impeller, which can transport liquid containing particles or other impurities.

GHSK type pump with 1450r/min and 2900r/min two kinds of speed, In addition to the transport of water and physical chemistry Nature similar to the water of the liquid, but also conveying a variety of non corrosive slurry, fiber and other impurities of the liquid, Applicable to industrial, urban water supply and drainage, irrigation, food, paper and other industries.

### Type description

GHSK 65 - 100



Impeller nominal diameter (mm)

Pump outlet diameter (mm)

Single stage single suction semi-open type centrifugal pump

NO.	名称	材质	
			Material
1	泵体	HT250	FC250
2	叶轮	ZG07Cr19Ni10	SUS304
3	泵盖	HT250	FC250
4	机械密封	C-SiC	C-SiC
5	压盖	HT250	FC250
6	悬架部件	HT250	FC250
7	轴	20Cr13	SUS420J1
8	轴套	06Cr19Ni10	SUS304
9	叶 <sub>2</sub>	ZG07Cr19Ni10	SUS304



## Performance chart

n=1450r/min

90  
80  
70  
60  
50  
45  
40  
35  
30  
25  
20  
15  
10  
9  
8  
7  
6  
5  
4  
3  
2



## Performance parameters

(2P)

	C	C		H ( )	E (%)	( )		N ( )
		( / )	( % / )			( )	M	
GHSK50-130	2900	36	10	26	62.5	4.08	7.5	3.4
		60	16.7	23.5	71	5.41		4.3
		72	20	21.5	69.5	6.07		4.9
GHSK50-160	2900	40	11.1	42.5	63.5	7.29	15	3.0
		65	18.1	39	71	9.72		4.5
		78	21.7	35.5	68.5	11.01		5.7
GHSK50-200	2900	36	10	61	59	10.14	22	2.9
		60	16.7	55	65	13.83		4.2
		72	20	51	64.5	15.5		5.1
GHSK50-260	2900	40	11.1	103	49	22.9	45	3.2
		65	18.1	97.5	58.5	29.5		5.0
		78	21.7	91	58	33.33		5.9
GHSK50-320	2900	54	15	146	48	44.73	75	4.5
		90	25	137	56	59.96		8.0
		108	30	130	57	67.08		9.0
GHSK65-130	2900	60	16.7	25.5	61.5	6.78	11	3.6
		100	27.8	21	65	8.8		4.9
		120	33.3	16	54	9.68		5.8
GHSK65-160	2900	64.8	18	39	64	10.75	22	4.2
		108	30	33.5	72.5	13.59		5.2
		129.6	36	29	67	15.28		6.0
GHSK65-200	2900	66	18.3	64	60	19.17	37	3.2
		110	30.6	59	69.5	25.43		5.2
		132	36.7	54.5	68.5	28.6		7.2
GHSK65-260	2900	72	20	98	59.5	32.3	55	4.3
		120	33.3	90	68	43.25		5.5
		144	40	83	68	47.87		6.4
GHSK65-320	2900	81	22.5	147	49	66.18	110	4.8
		135	37.5	131	58	83.04		5.4
		162	45	115	55	92.25		6.5
GHSK80-160	2900	100	27.8	39.5	66	16.3	30	4.3
		162	45	35	73	21.15		5.3
		195	54.2	31	70	23.52		6.2
GHSK80-200	2900	115	31.9	60	65	28.91	55	4.2
		190	52.8	55	73	38.98		6.1
		225	62.5	50	69.5	44.08		7.5
GHSK80-260	2900	115	31.9	97	60	50.63	90	4.8
		190	52.8	88	70	65.05		7.1
		225	62.5	81	68.5	72.46		8.7
GHSK80-320	2900	126	35	146	59	84.91	132	6.6
		210	58.3	134	69	111.06		7.3
		252	70	121	68	122.12		8.0
GHSK100-200	2900	180	50	61	67	44.63	75	5.0
		295	81.9	51.5	74	55.91		6.8
		340	94.4	42	69	56.36		8.0
GHSK100-260	2900	190	52.8	97	66	76.05	132	4.8
		295	81.9	86	71	97.31		6.5
		350	97.2	80	69	110.51		8.5
GHSK125-200	2900	237.6	66	57.5	59.5	62.53	90	8.0
		360	100	50.5	69.5	71.24		8.2
		475.2	132	40	63	82.17		8.8



## Performance parameters

(4P)

	( / )	C		H ( )	E (%)	( )		N ( )
		( ³ / )	/			( )	M	
GHSK32-130	1450	4.5	1.3	6.2	30	0.25	0.55	1.6
		7.5	2.1	5.6	41	0.28		1.7
		9	2.5	5.2	44	0.29		2.0
GHSK32-160	1450	6	1.7	9.7	37	0.43	0.75	1.7
		9	2.5	9	43	0.51		2.0
		11	3.1	8	44.5	0.54		2.4
GHSK32-200	1450	6	1.7	16.3	35	0.76	1.5	1.8
		9	2.5	15.4	43	0.88		2.0
		11	3.1	14.5	46	0.94		2.2
GHSK32-260	1450	7.2	2	25	25	1.96	3	1.8
		12	3.3	23.5	34.5	2.23		2.6
		14.4	4	22	37	2.33		3.3
GHSK40-130	1450	10.8	3	6.55	52	0.37	0.75	1.6
		18	5	5.8	62	0.46		1.9
		21.6	6	5.4	62	0.51		2.3
GHSK40-160	1450	10.8	3	10.2	50	0.6	1.5	1.9
		18	5	8.8	57	0.76		2.4
		21.6	6	7.8	55	0.83		2.8
GHSK40-200	1450	10.8	3	16.2	45	1.06	2.2	2.0
		18	5	14	51	1.35		2.3
		21.6	6	12.4	50	1.46		2.5
GHSK40-260	1450	12.6	3.5	24.4	37	2.26	4	2.0
		21	5.8	22	47	2.68		2.3
		25.2	7	20	47.5	2.89		2.8
GHSK40-320	1450	9	2.5	38	27	3.45	5.5	1.9
		14.4	4	37.5	37	3.97		2.3
		18	5	37	40	4.53		2.8
GHSK50-130	1450	18	5	6.6	55	0.59	1.1	2.2
		30	8.3	6.3	70.5	0.73		2.6
		36	10	5.7	69	0.81		2.9
GHSK50-160	1450	20	5.6	10.4	59	0.96	2.2	2.3
		32	8.9	9.8	69	1.24		2.7
		38	10.6	9.4	69.5	1.4		3.0
GHSK50-200	1450	18	5	16	53	1.48	3	2.4
		30	8.3	14	59	1.94		2.8
		36	10	13.5	60	2.21		3.2
GHSK50-260	1450	20	5.6	25	47.5	2.87	5.5	1.9
		32	8.9	24	59.5	3.52		2.5
		38	10.6	23	61.5	3.87		3.0
GHSK50-320	1450	32.4	9	37	51.5	6.34	15	3.0
		54	15	30.5	52.5	8.54		3.3
		64.8	18	23.5	42.5	9.76		3.5
GHSK65-130	1450	21.6	6	6.7	45	0.88	1.5	2.2
		36	10	6.4	61	1.03		2.4
		43.2	12	6	64	1.1		2.5
GHSK65-160	1450	32.4	9	10	59	1.5	3	2.1
		54	15	9.2	73	1.85		2.3
		64.8	18	8.4	76	1.95		2.5



## Performance parameters

(4P)

	(/ )	C		H ( )	E (%)	( )		N ( )
		( / )	/			( )	M	
GHSK65-200	1450	35	9.7	16.4	61	2.56	4	2.8
		55	15.3	15	71.5	3.14		3.4
		66	18.3	13.8	72.5	3.42		3.7
GHSK65-260	1450	43.2	12	25.3	61.5	4.84	11	2.7
		72	20	21.5	68.5	6.15		3.5
		86.4	24	18.7	63	6.98		4.2
GHSK65-320	1450	43.2	12	37.4	54	8.15	15	1.8
		72	20	33	62	10.44		2.8
		86.4	24	29	60	11.37		3.5
GHSK80-160	1450	50	13.9	10.6	57.5	2.51	4	2.7
		80	22.2	10	71	3.07		3.1
		96	26.7	9.3	72	3.38		3.4
GHSK80-200	1450	63	17.5	15.7	69	3.9	7.5	2.8
		105	29.2	14	74	5.41		3.6
		126	35	12.8	71	6.19		4.4
GHSK80-260	1450	63	17.5	24	65	6.33	11	2.3
		105	29.2	21	71	8.46		2.9
		126	35	18.5	67	9.47		3.3
GHSK80-320	1450	60	16.7	36	57.5	10.23	18.5	2.9
		100	27.8	33	66	13.62		3.0
		120	33.3	30	62.5	15.69		3.6
GHSK80-400	1450	60	16.7	59	50.5	19.09	37	2.6
		100	27.8	55.5	60.5	24.98		3.5
		120	33.3	52.5	61.5	27.9		3.8
GHSK100-200	1450	90	25	15	75	4.9	11	2.3
		142	39.4	12.7	77	6.38		2.8
		170	47.2	10.5	69.5	6.99		3.2
GHSK100-260	1450	99	27.5	24	71	9.11	18.5	2.5
		165	45.8	21	75.5	12.5		3.3
		198	55	19	70	14.64		3.8
GHSK100-320	1450	81	22.5	39	67	12.84	22	2.5
		135	37.5	33.7	75	16.52		3.0
		162	45	30	71.5	18.51		3.5
GHSK100-400	1450	90	25	58.8	55.5	25.97	45	2.5
		150	41.7	51	62.5	33.33		3.0
		180	50	44	59.5	36.25		3.5
GHSK125-200	1450	115	31.9	15.2	57	8.35	15	3.6
		190	52.8	13	72	9.34		4.5
		230	63.9	11.5	71.5	10.07		5.5
GHSK125-260	1450	144	40	24.2	69	13.75	30	3.2
		240	66.7	21.2	76	18.23		4.2
		288	80	17	67	19.9		4.8
GHSK125-320	1450	120	33.3	35	62.5	18.3	37	2.5
		200	55.6	32.5	74	23.92		3.5
		240	66.7	30	73	26.86		4.6
GHSK125-400	1450	144	40	59.5	72	32.14	75	2.8
		245	68.1	52	71.5	48.52		3.6
		300	83.3	45	65.5	56.13		4.3



## Performance parameters

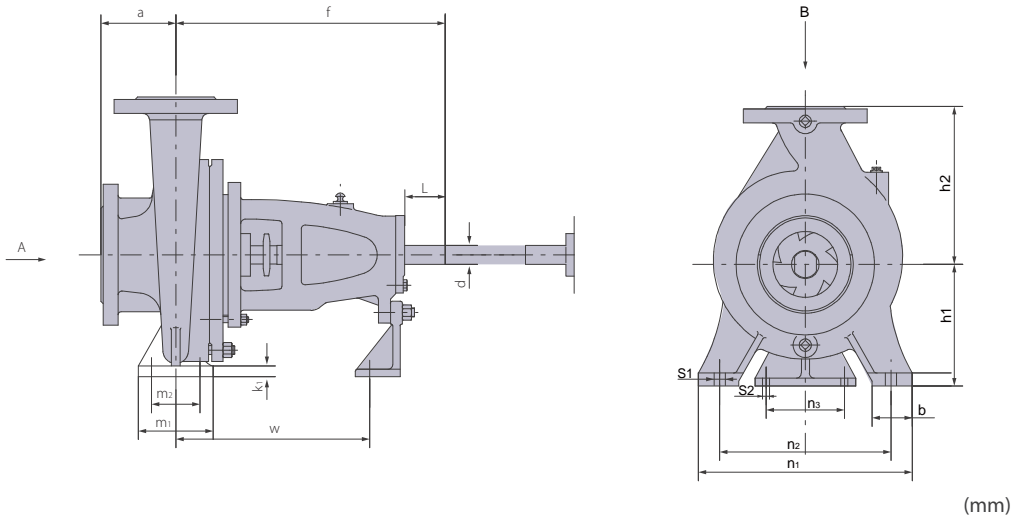
(4P)

	( / )	C		H ( )	E (%)	( )		N ( )
		( ³ / )	/			( )	M	
GHSK125-500	1450	150	41.7	83.5	58	58.81	132	3.8
		250	69.4	78	65	81.7		4.0
		300	83.3	72	60	98.04		4.2
GHSK150-200	1450	216	60	14.4	65	13.03	22	4.5
		360	100	12.2	75	15.95		5.0
		424.8	118	10.3	72	16.55		5.5
GHSK150-260	1450	194	53.9	23.5	70	17.74	37	4.2
		324	90	20.5	77	23.49		4.5
		414	115	16	63	28.63		4.8
GHSK150-320	1450	230	63.9	36.5	69	33.13	55	3.8
		370	102.8	33	76	43.75		4.3
		445	123.6	28.5	70	49.34		4.7
GHSK150-400	1450	240	66.7	58	70	54.15	90	3.9
		385	106.9	53.5	79	71		4.5
		460	127.8	49	78	78.7		5.1
GHSK150-500	1450	300	83.3	86.5	74	95.5	160	4.6
		500	138.9	77.5	79	133.58		5.0
		600	166.7	68	76	146.2		5.4
GHSK200-260	1450	259.2	72	19.5	68	20.24	30	4.5
		432	120	15.2	77	23.22		4.8
		518.4	144	12	69	24.55		5.2
GHSK200-320	1450	345	95.8	35	67.5	48.72	75	4.7
		575	159.7	30	78.5	59.84		5.0
		690	191.7	25.5	74.5	64.32		5.4
GHSK200-400	1450	390	108.3	59.5	69	91.59	160	4.7
		650	180.6	53.5	79	119.88		5.2
		780	216.7	48.5	77	133.8		6.0
GHSK200-500	1450	330	91.7	90	63	128.38	250	5.0
		550	152.8	87	76	171.46		5.8
		660	183.3	84.5	75	202.51		6.8
GHSK250-320	1450	522	145	32	64	71.08	110	4.5
		870	241.7	27.5	78	83.53		6.3
		1044	290	24	77	88.62		8.0
GHSK250-400	1450	550	152.8	56.5	70.5	120.04	200	5.0
		760	211.1	54	80	139.71		5.5
		950	263.9	48.5	78	160.87		6.5
GHSK250-500	1450	534	148.3	85.5	65	191.29	315	5.0
		890	247.2	80	77	251.82		7.0
		1068	296.7	74	76	283.2		9.0
GHSK300-400	1450	831.6	231	52	65	181.18	280	6.8
		1386	385	46.5	81	216.68		8.5
		1663.2	462	42	82.5	230.59		9.5





## Installation dimensions



	I															
			1	2		1	2	1	2	3	K1		1	2	L	
GHSK32-130	80	380	112	140	50	100	70	190	140	110	14	267	14	14	22	50
GHSK32-160	80	380	132	160	50	100	70	240	190	110	14	267	14	14	22	50
GHSK32-200	80	380	160	180	50	100	70	240	190	110	14	267	14	14	22	50
GHSK32-260	100	380	180	225	65	125	95	320	250	110	14	267	14	14	22	50
GHSK40-130	80	380	112	140	50	100	70	210	160	110	14	267	14	14	22	50
GHSK40-160	80	380	132	160	50	100	70	240	190	110	14	267	14	14	22	50
GHSK40-200	100	380	160	180	50	100	70	265	212	110	14	267	14	14	22	50
GHSK40-260	100	380	180	225	65	125	95	320	250	110	14	267	14	14	22	50
GHSK40-320	125	490	200	250	65	125	95	345	280	110	14	342	14	14	32	75
GHSK50-130	100	380	132	160	50	100	70	240	190	110	14	267	14	14	22	50
GHSK50-160	100	380	160	180	50	100	70	265	212	110	14	267	14	14	22	50
GHSK50-200	100	380	160	200	50	100	70	265	212	110	14	267	14	14	22	50
GHSK50-260	100	380	180	225	65	125	95	320	250	110	14	267	14	14	22	50
GHSK50-260G	100	475	180	225	65	125	95	320	250	110	14	329	14	14	32	75
GHSK50-320	125	490	225	280	65	125	95	345	280	110	16	342	14	14	32	75
GHSK65-130	100	380	160	180	65	125	95	280	212	110	14	267	14	14	22	50
GHSK65-160	100	380	160	200	65	125	95	280	212	110	14	267	14	14	22	50
GHSK65-200	100	380	180	225	65	125	95	320	250	110	14	267	14	14	22	50
GHSK65-200G	100	475	180	225	65	125	95	320	250	110	14	328	14	14	32	75
GHSK65-260	100	490	200	250	80	160	120	360	280	110	16	342	18	14	32	75
GHSK65-320	125	485	225	280	80	160	120	400	315	110	16	342	18	14	32	75
GHSK80-160	125	380	180	225	65	125	95	320	250	110	14	267	14	14	22	50
GHSK80-200	125	490	180	250	65	125	95	345	280	110	14	342	14	14	32	75
GHSK80-260	125	490	200	280	80	160	120	400	315	110	16	342	18	14	32	75
GHSK80-320	125	490	250	315	80	160	120	400	315	110	16	342	18	14	32	75
GHSK80-400	125	520	280	355	80	160	120	400	355	110	16	370	18	14	42	85
GHSK100-200	125	490	200	280	80	160	120	360	280	110	16	342	18	14	32	75
GHSK100-260	140	490	225	280	80	160	120	400	315	110	16	342	18	14	32	75
GHSK100-320	140	490	250	315	80	160	120	400	315	110	16	342	18	14	32	75
GHSK100-400	140	530	280	355	100	200	150	500	400	110	18	370	23	14	42	85
GHSK125-200	140	490	250	315	80	160	120	400	315	110	16	342	18	14	32	75
GHSK125-260	140	490	250	355	80	160	120	400	315	110	16	342	18	14	32	75



(mm)

	I															
			1	2		1	2	1	2	3	K1		1	2		L
GHSK125-320	140	530	280	355	100	200	150	500	400	110	18	370	23	14	42	85
GHSK125-400	140	530	315	400	100	200	150	500	400	110	18	370	23	14	42	85
GHSK125-500	180	700	375	500	100	200	150	550	450	140	25	511	23	14	55	110
GHSK150-260	160	530	250	355	100	200	150	450	350	110	18	370	23	14	42	85
GHSK150-320	160	536	280	400	100	200	150	550	450	110	18	370	23	14	42	85
GHSK150-400	160	530	315	450	100	200	150	550	450	110	18	370	23	14	42	85
GHSK150-500	180	700	375	500	100	200	150	550	450	140	25	511	23	14	55	115
GHSK200-260	180	550	280	400	100	200	150	550	450	110	25	389	27	14	42	85
GHSK200-320	200	700	355	450	100	200	150	550	450	110	20	511	23	14	48	110
GHSK200-400	200	700	355	500	100	200	150	550	450	110	20	511	23	14	48	110
GHSK200-500	210	705	400	500	160	300	240	720	600	140	30	511	27	14	55	115
GHSK250-320	200	700	355	525	100	250	175	600	500	110	24	511	23	14	48	110
GHSK250-400	250	700	400	500	120	300	250	710	600	110	25	511	23	14	55	110
GHSK250-500	240	875	425	545	160	300	240	720	600	140	30	634	27	19	70	140
GHSK300-320	260	875	400	560	140	300	200	750	600	140	30	625	27	19	70	140
GHSK300-400	280	875	500	600	150	300	200	800	660	140	40	625	27	19	70	140



